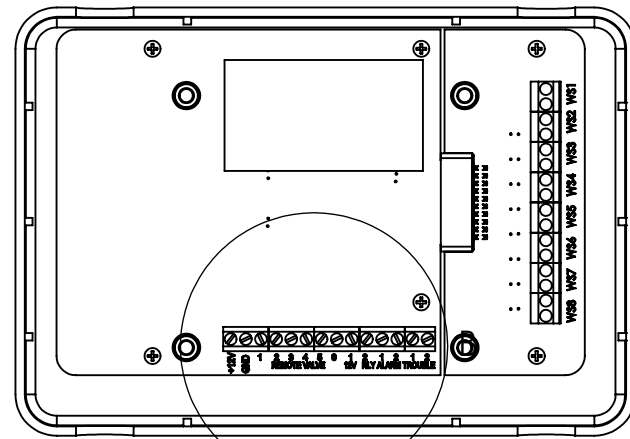
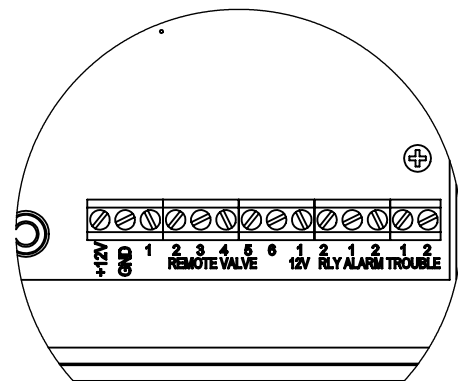


# WATERCOP PRO PVC WIRING GUIDE

## 12 VDC SYSTEM



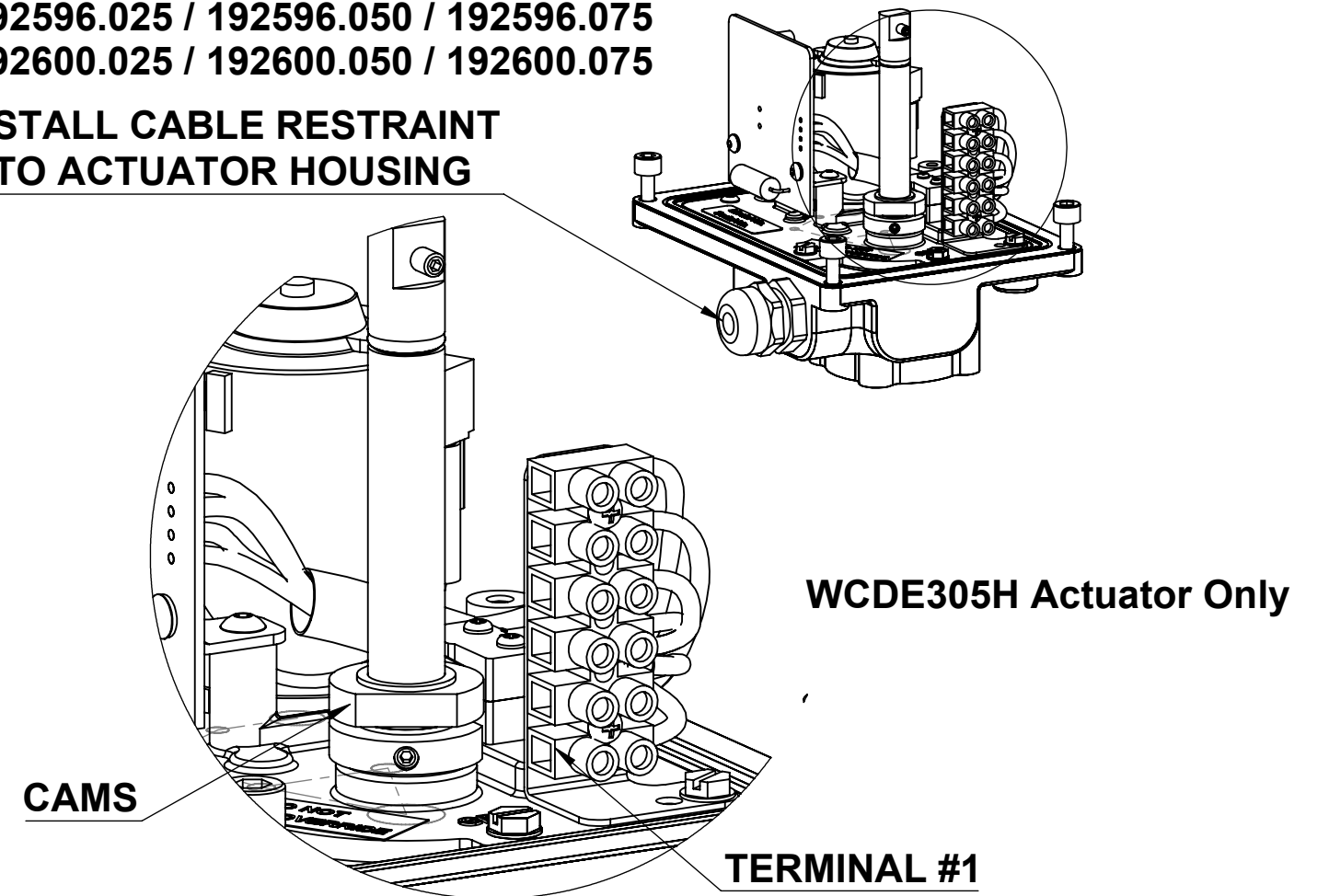
**CAUTION: DO NOT POWER THE CONTROL PANEL UNTIL ALL WIRING CONNECTIONS ARE MADE AND INSTALLATION IS COMPLETE.**



REMOVE JUMPERS FROM TERMINALS 2, 3, 4 & 5  
 ATTACH CABLE LEADS TO  
 REMOTE VALVE TERMINALS  
 AS FOLLOWS:  
 1 - BLACK  
 2 - RED  
 3 - GREEN  
 4 - BROWN / YELLOW FOR OUTDOOR  
 5 - WHITE  
 BLUE LEAD IS NOT USED

**INDOOR CABLES** 192596.025 / 192596.050 / 192596.075  
**OUTDOOR CABLES** 192600.025 / 192600.050 / 192600.075

**INSTALL CABLE RESTRAINT  
 INTO ACTUATOR HOUSING**



FEED CABLE THROUGH CABLE RESTRAINT  
 AND ATTACH LEADS TO TERMINAL BLOCK  
 AS FOLLOWS: NOTE THE LOWEST TERMINAL IS NO. 1  
 1 - BLACK  
 2 - RED  
 3 - GREEN  
 4 - BROWN / YELLOW FOR OUTDOOR  
 5 - WHITE  
 BLUE LEAD IS NOT USED

**NOTE: ROUTE WIRES AWAY FROM CAMS AND TIGHTEN CABLE RESTRAINT**