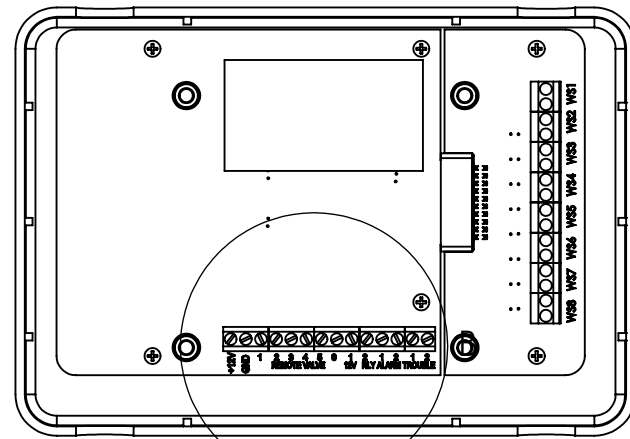
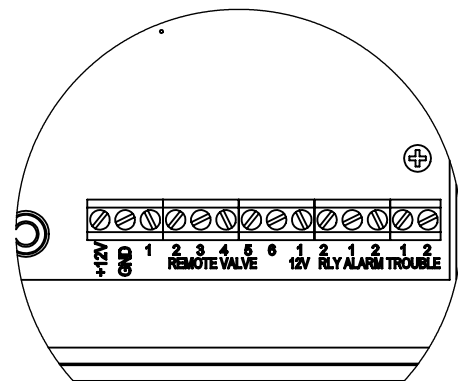


WATERCOP PRO PVC WIRING GUIDE

12 VDC SYSTEM



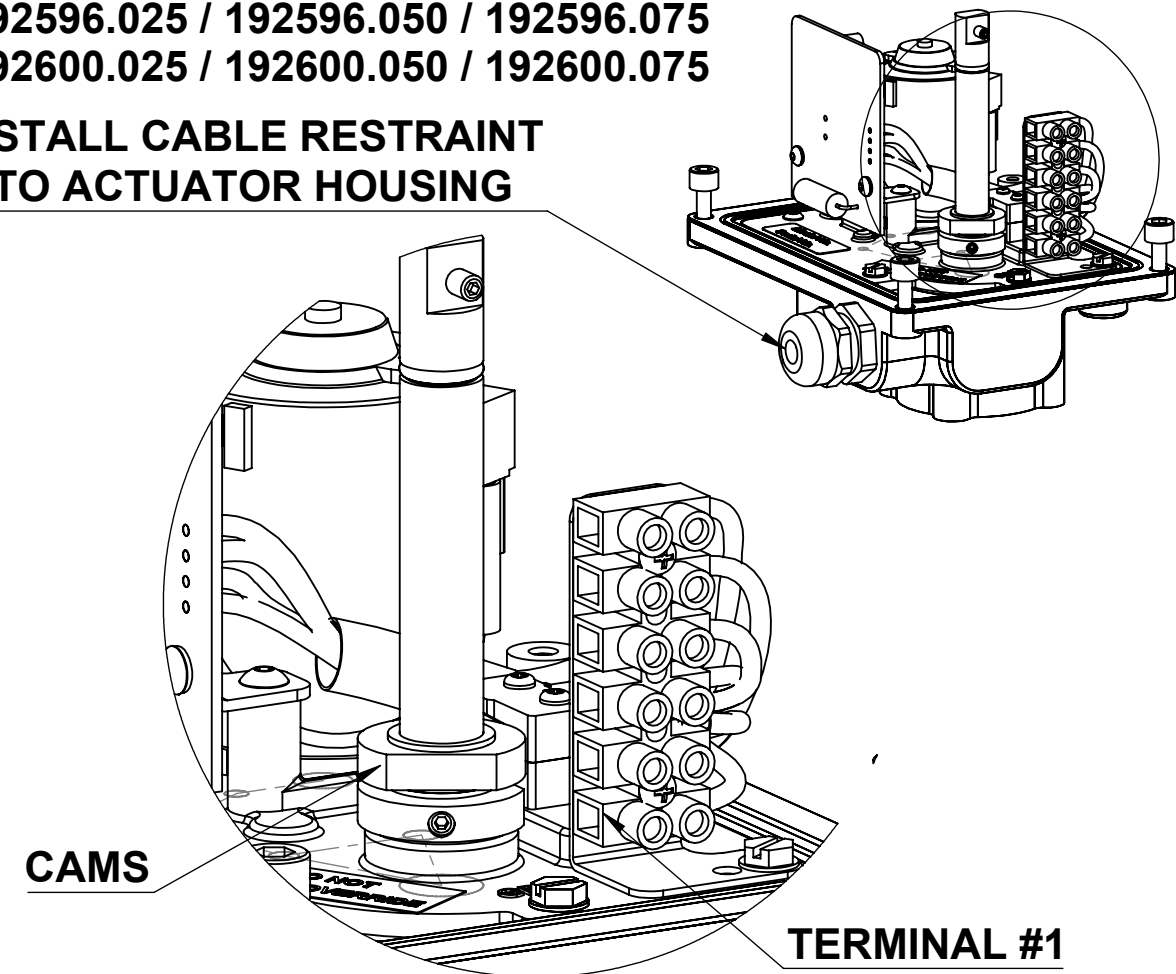
CAUTION: DO NOT POWER THE CONTROL PANEL UNTIL ALL WIRING CONNECTIONS ARE MADE AND INSTALLATION IS COMPLETE.



REMOVE JUMPERS FROM TERMINALS 2, 3, 4 & 5
 ATTACH CABLE LEADS TO
 REMOTE VALVE TERMINALS
 AS FOLLOWS:
 1 - BLACK
 2 - RED
 3 - GREEN
 4 - BROWN / YELLOW FOR OUTDOOR
 5 - WHITE
 BLUE LEAD IS NOT USED

INDOOR CABLES 192596.025 / 192596.050 / 192596.075
OUTDOOR CABLES 192600.025 / 192600.050 / 192600.075

INSTALL CABLE RESTRAINT INTO ACTUATOR HOUSING



FEED CABLE THROUGH CABLE RESTRAINT
 AND ATTACH LEADS TO TERMINAL BLOCK
 AS FOLLOWS: NOTE THE LOWEST TERMINAL IS NO. 1
 1 - BLACK
 2 - RED
 3 - GREEN
 4 - BROWN / YELLOW FOR OUTDOOR
 5 - WHITE
 BLUE LEAD IS NOT USED

NOTE: ROUTE WIRES AWAY FROM CAMS AND TIGHTEN CABLE RESTRAINT