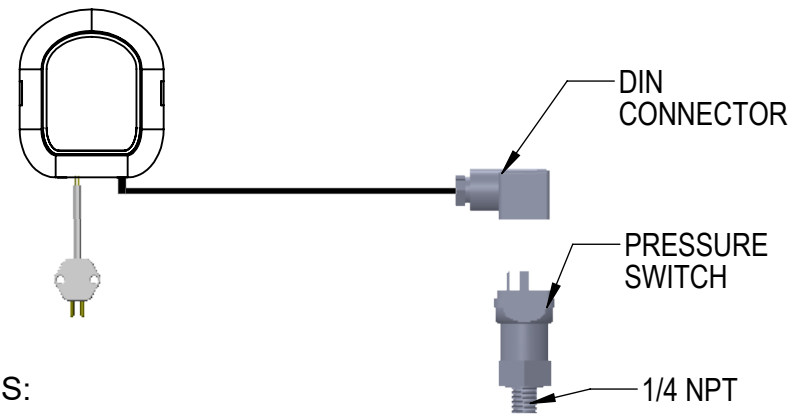
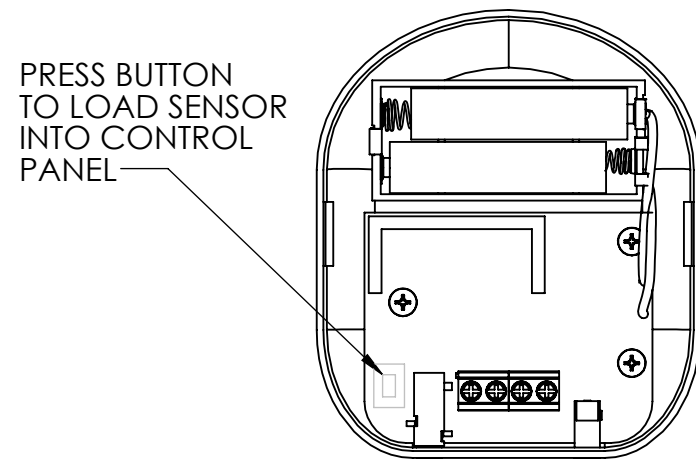


## WATERCOP PRO PRESSURE SENSOR INSTALLATION INSTRUCTIONS



### INSTALLATION INSTRUCTIONS:

1. REMOVE DIN CONNECTOR FROM PRESSURE SWITCH.
2. INSTALL PRESSURE SWITCH INTO PIPELINE, DOWNSTREAM FROM PRESSURE REGULATOR
3. REINSTALL THE DIN CONNECTOR TO PRESSURE SWITCH.
4. INSTALL BATTERIES IN SENSOR HOUSING AND LOAD SENSOR TO WATERCOP CONTROL PANEL.

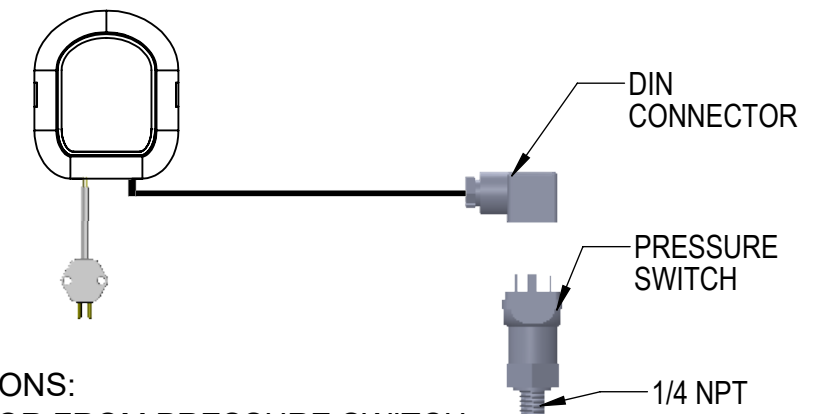


### FIELD ADJUSTMENT:

TO ADJUST PRESSURE SWITCH SETTING:

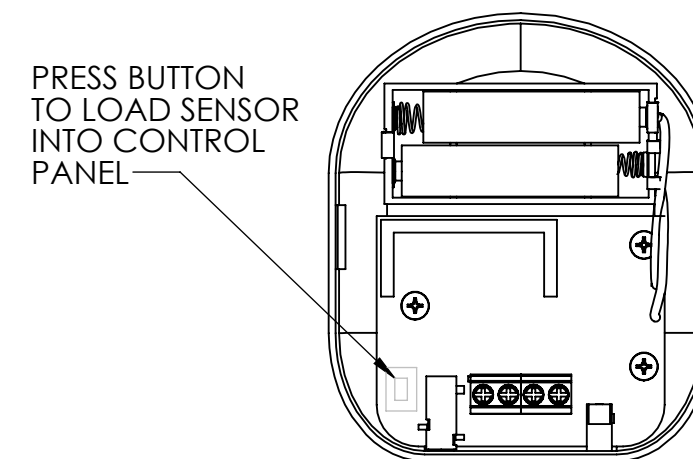
1. REMOVE DIN CONNECTOR
2. INSERT 5/64 (2 mm) HEX WRENCH THROUGH THREADED HOLE IN TOP OF PRESSURE SWITCH.
3. TURN CLOCKWISE TO INCREASE SET PRESSURE, COUNTER-CLOCKWISE TO DECREASE SET PRESSURE.
4. ONE TURN IS APPROXIMATELY 25 PSI.

## WATERCOP PRO PRESSURE SENSOR INSTALLATION INSTRUCTIONS



### INSTALLATION INSTRUCTIONS:

1. REMOVE DIN CONNECTOR FROM PRESSURE SWITCH.
2. INSTALL PRESSURE SWITCH INTO PIPELINE, DOWNSTREAM FROM PRESSURE REGULATOR
3. REINSTALL THE DIN CONNECTOR TO PRESSURE SWITCH.
4. INSTALL BATTERIES IN SENSOR HOUSING AND LOAD SENSOR TO WATERCOP CONTROL PANEL.



### FIELD ADJUSTMENT:

TO ADJUST PRESSURE SWITCH SETTING:

1. REMOVE DIN CONNECTOR
2. INSERT 5/64 (2 mm) HEX WRENCH THROUGH THREADED HOLE IN TOP OF PRESSURE SWITCH.
3. TURN CLOCKWISE TO INCREASE SET PRESSURE, COUNTER-CLOCKWISE TO DECREASE SET PRESSURE.
4. ONE TURN IS APPROXIMATELY 25 PSI.