

WaterCop Pro PVC Valve Installation Guide

A PVC Valve application is much the same as brass, but it incorporates an industrial actuator required to control all sizes of the PVC valves. Please note that this guide is for wiring placement only. Wiring is done through the ½” conduit connection on the actuator. You should follow your best practices and follow local codes.



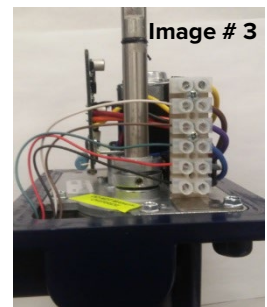
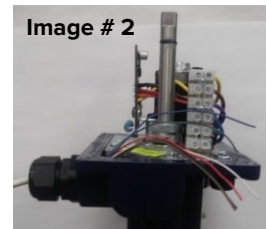
WARNING! The valve closes with great force and could cut off a finger. Keep fingers and other objects out of the valve when testing. *Make all connections before applying power!*

- 1) Remove the **WCECP Series** DynaMatic industrial actuator, **Connect Cable**, and **WPC/H** from their boxes so you can wire them.
- 2) Loosen the small Allen-head screw in the side of the indicator arrow on the **WCECP Series** actuator (1 ½” and 2” models) then gently pry off the indicator arrow with a screwdriver.
- 3) Remove the four Allen-head bolts and take off the top cover to expose the wiring terminals in the **WCECP Series** actuator. Save the gasket for step 6. (Reference Image # 1)
- 4) Run one end of the **Connect Cable** through the strain relief then ½” conduit port and fully tighten the strain relief.
- 5) Connect the leads from the **Connect Cable** to the designated terminals in the **WCECP Series** actuator. (Reference image #2)
- 6) Replace gasket, cover, and indicator arrow.
- 7) Wire the leads from the opposite end of the **Connect Cable** to the ‘Remote Valve’ terminals in the **WPC/WPCH**. (Reference Image #4)
- 8) Power the **WPC/WPCH**.



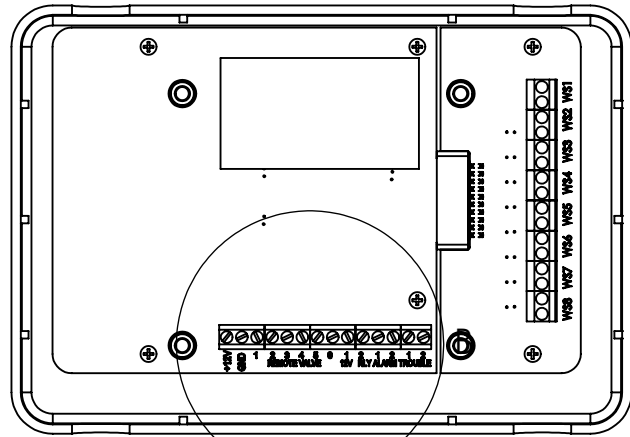
WARNING! The valve closes with great force and could cut off a finger. Keep fingers and other objects out of the valve when testing.

- 9) You are now ready to test the system. Please refer to the ‘Before Installing the Valve’ section of the WaterCop Pro Instruction Manual.
- 10) After successful testing, you’re ready to install the valve/ industrial actuator.
- 11) Now you’re ready to install the Leak Sensors. The Pro sensors install and operate as usual. Refer to the ‘Installation of Leak Sensor’ section of the WaterCop Pro Instruction Manual.

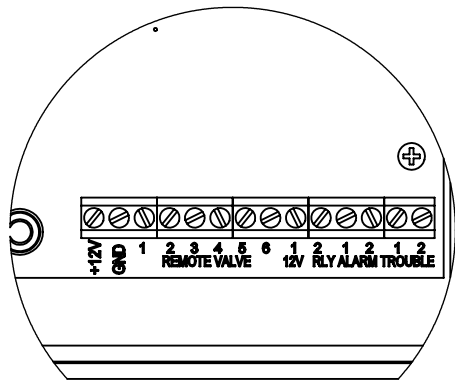


WATERCOP PRO PVC WIRING GUIDE

12 VDC SYSTEM



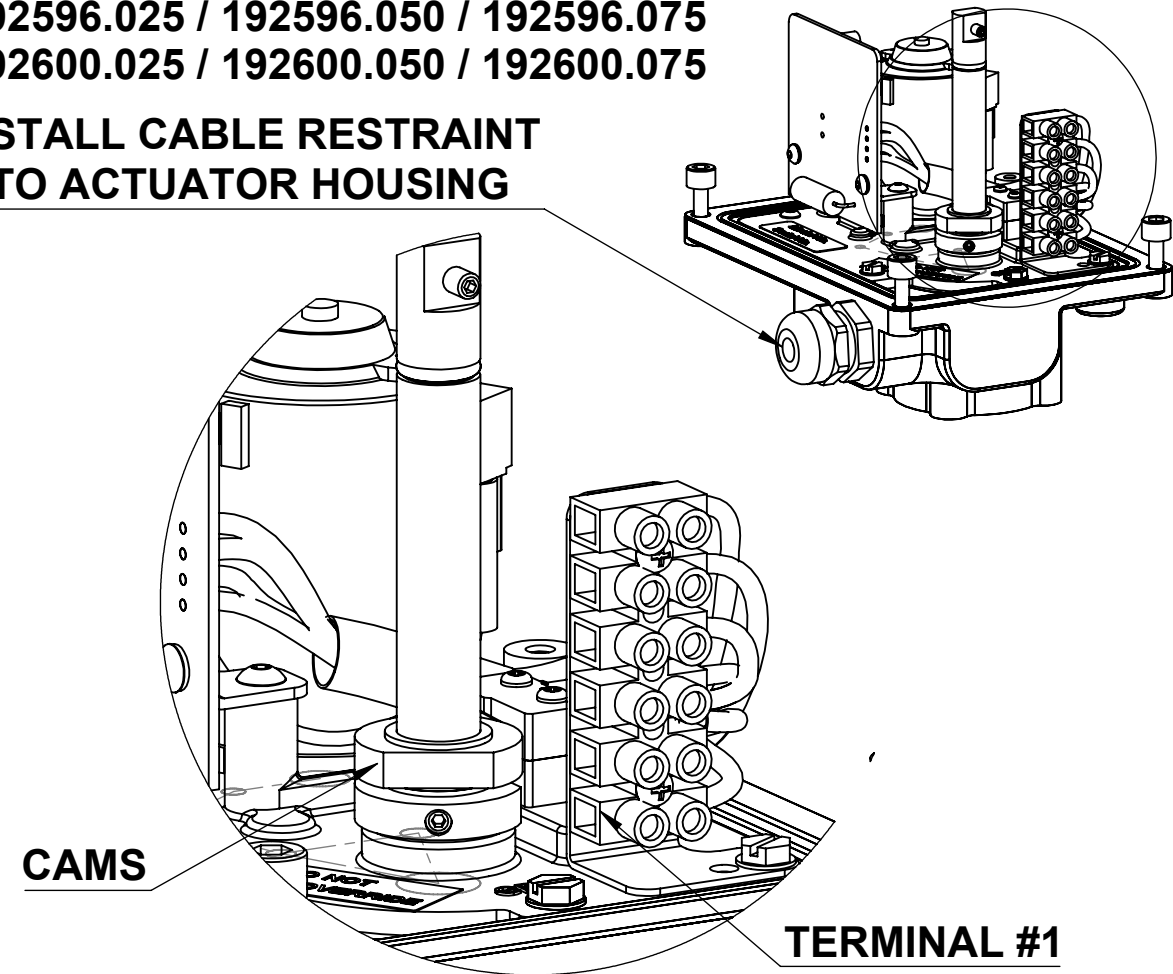
CAUTION: DO NOT POWER THE CONTROL PANEL UNTIL ALL WIRING CONNECTIONS ARE MADE AND INSTALLATION IS COMPLETE.



REMOVE JUMPERS FROM TERMINALS 2, 3, 4 & 5
 ATTACH CABLE LEADS TO
 REMOTE VALVE TERMINALS
 AS FOLLOWS:
 1 - BLACK
 2 - RED
 3 - GREEN
 4 - BROWN / YELLOW FOR OUTDOOR
 5 - WHITE
 BLUE LEAD IS NOT USED

INDOOR CABLES 192596.025 / 192596.050 / 192596.075
OUTDOOR CABLES 192600.025 / 192600.050 / 192600.075

**INSTALL CABLE RESTRAINT
 INTO ACTUATOR HOUSING**



FEED CABLE THROUGH CABLE RESTRAINT
 AND ATTACH LEADS TO TERMINAL BLOCK
 AS FOLLOWS: NOTE THE LOWEST TERMINAL IS NO. 1
 1 - BLACK
 2 - RED
 3 - GREEN
 4 - BROWN / YELLOW FOR OUTDOOR
 5 - WHITE
 BLUE LEAD IS NOT USED

NOTE: ROUTE WIRES AWAY FROM CAMS AND TIGHTEN CABLE RESTRAINT