

MODEL	WCECP23Z5E22H	WCECP24Z5E22H	WCECP25Z5E22H	WCECP26Z5E22H	WCECP27Z5E22H	WCECP28Z5E22H
SIZE	1/2 NPT	3/4 NPT	1 NPT	1 1/4 NPT	1 1/2 NPT	2 NPT
TEMPERATURE	-4°F / +158°F	-4°F / +158°F	-4°F / +158°F	-4°F / +158°F	-4°F / +158°F	-4°F / +158°F
WOG	230 PSI	230 PSI	230 PSI	230 PSI	230 PSI	230 PSI
A	3.32	3.73	4.72	5.66	6.20	7.09
B	.59	.77	.98	1.26	1.5	1.97
C	2.41	2.54	2.68	3.13	3.64	5.68
D	7.59	7.72	7.86	8.31	8.82	10.86
E	4.24	4.24	4.24	4.24	4.24	4.24
F	5.66	5.66	5.66	5.66	5.66	5.66
G	5.18	5.18	5.18	5.18	5.18	5.18
H	2.05	2.44	2.83	3.46	4.05	4.72
ACTUATOR	WCDE155H	WCDE155H	WCDE155H	WCDE155H	WCDE155H	WCDE155H
WT. LBS.	5.3	5.5	5.8	6.2	6.5	7.5

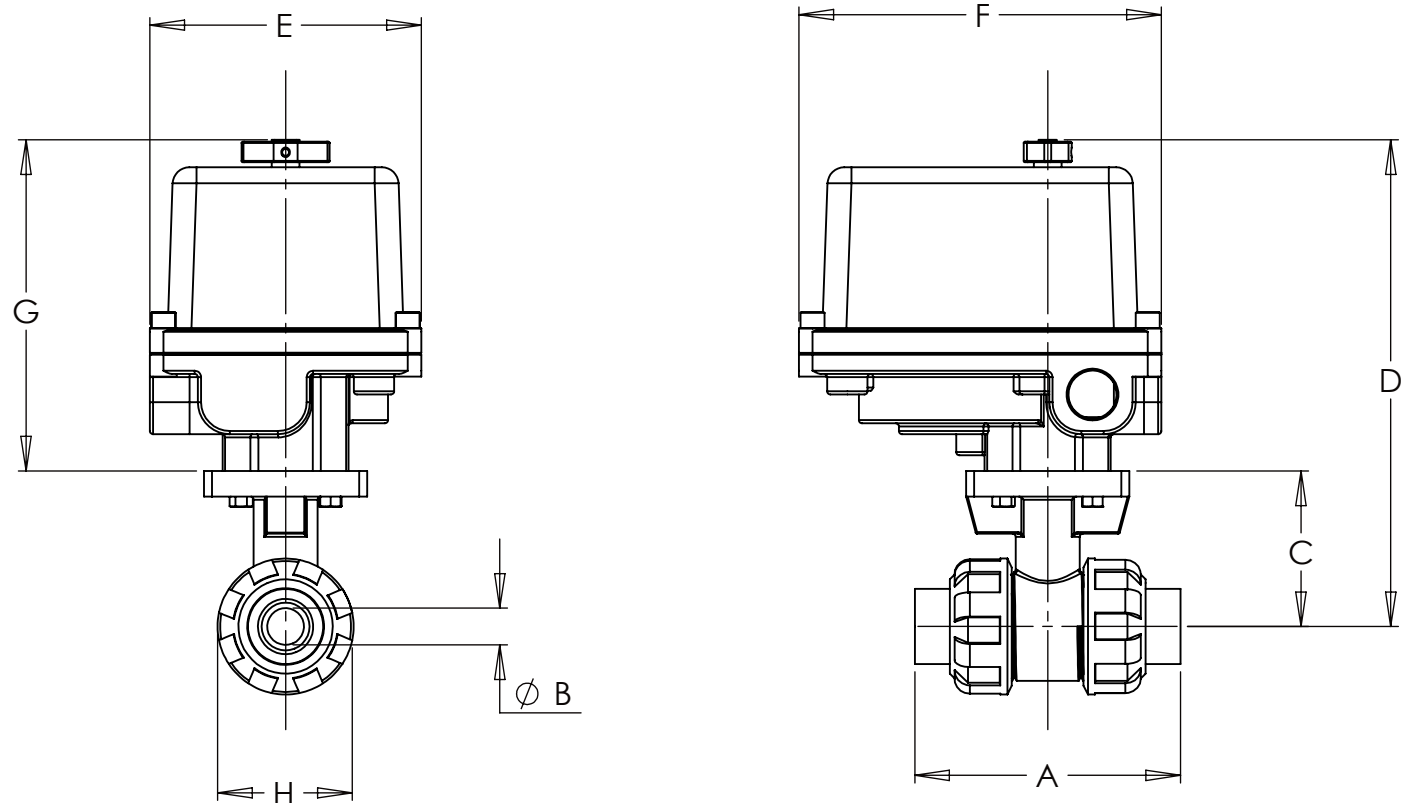
Model No. Voltage Code:
ECP2XA5E22H

H = 12-24 VAC/VDC

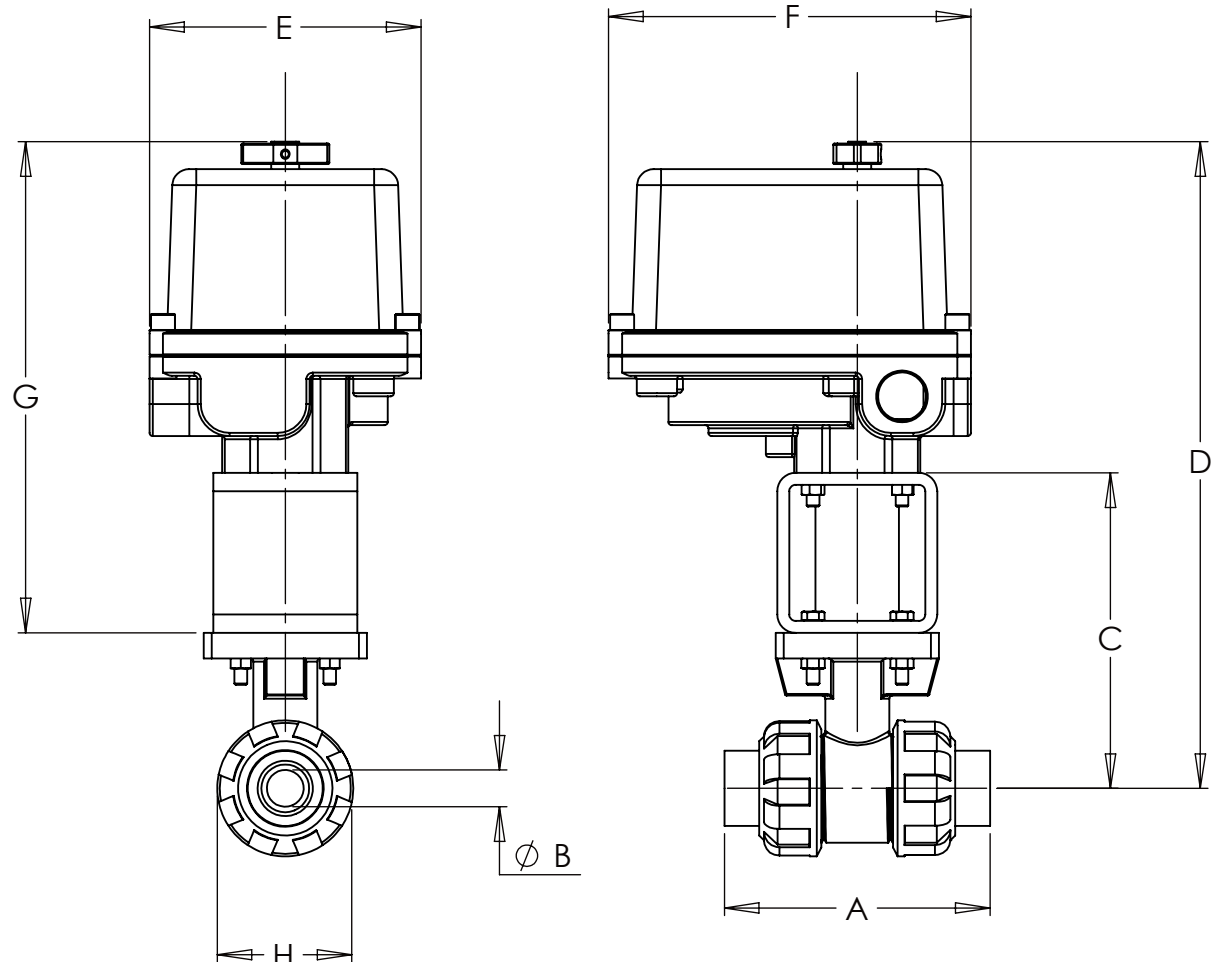
3.00 Above Shaft
Minimum Distance
For Cover Removal

Valve Data

Body/End Cap	PVC
Stem	PVC
Ball	PVC
Seats	EPDM
Stem Seal	PTFE



DE Series



For 2 Inch Valve

UNCONTROLLED DRAWING

THIS PRINT IS THE PROPERTY OF DYNAQUIP CONTROLS AND SHALL NOT BE COPIED, REPRODUCED, LOANED, OR DISPOSED OF DIRECTLY OR INDIRECTLY, NOR USED FOR ANY PURPOSE OTHER THAN THAT FOR WHICH IT IS SPECIFICALLY FURNISHED EXCEPT BY WRITTEN PERMISSION OF DYNAQUIP CONTROLS.

NO. WCECP SERIES FILE NO. SUB477

TITLE
PVC VALVE
EPDM/PTFE FULL PORT
WCDE SERIES ELECTRIC ACTUATOR

DR	DATE	CH'KD	DATE	ENGR	DATE
CMM	08-11-20	CMM	05-07-20	CMM	05-07-20

