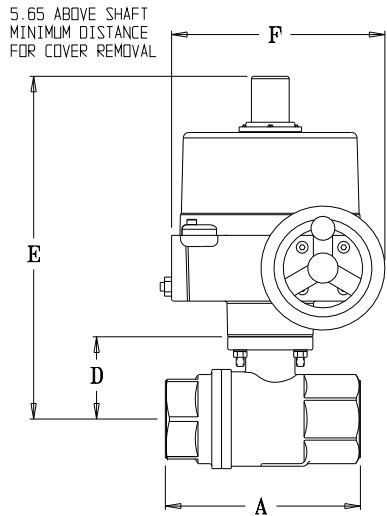


DE SERIES



MA SERIES

	Pro only	Classic or Pro	Pro only	Classic or Pro	Pro only	Pro only
MODEL	WCEHH27ATE25	WCEHH27ATE25H	WCEHH28ATE25	WCEHH28ATE25H	WCEHH2AATE07	WCEHH2BATE01
VALVE	1 1/2 NPT	1 1/2 NPT	2 NPT	2 NPT	3 NPT	4 NPT
C_v	143	143	205	205	780	1350
TEMP	-20°/370°F	-20°/370°F	-20°/370°F	-20°/370°F	-20°/370°F	-20°/370°F
CWP	600 PSI	600 PSI	600 PSI	600 PSI	600 PSI	600 PSI
A	4.60	4.60	5.31	5.31	6.89	8.03
B	3.12	3.12	3.77	3.77	5.35	6.53
C	1.57	1.57	1.97	1.97	3.00	3.74
D	2.44	2.44	2.71	2.71	3.85	4.59
E	7.62	7.62	7.89	7.89	11.56	14.63
F	5.66	5.66	5.66	5.66	4.82	7.87
G	4.24	4.24	4.24	4.24	5.10	13.00
H	5.18	5.18	5.18	5.18	7.73	10.04
ACTUATOR	WCDE305	WCDE305H	WCDE305	WCDE305H	WCMA4	WCMA7
CYCLE	6.0 SEC.	6.0 SEC.	6.0 SEC.	6.0 SEC.	20 SEC.	15 SEC.
△	300 PSI	300 PSI	300 PSI	300 PSI	300 PSI	300 PSI
AMBIENT TEMP °F	-4° / 150° F	-4° / 150° F	-4° / 150° F	-4° / 150° F	-4° / 150° F	-4° / 150° F
WT. LBS	8.27	8.27	11.01	11.01	35.29	41.54

VALVE SIZE 1 1/2 IS CERTIFIED TO NSF/ANSI 372 FOR USE WITH POTABLE WATER

FOR USE WITH POTABLE WATER

VALVE MATERIALS

BODY/END CAP	FORGED BRASS
STEM	NICKEL PLATED BRASS (2" STAINLESS STEEL)
BALL	CHROME PLATED BRASS
SEATS	RTFE
THRUSTWASHER	RTFE
STEM SEAL	VITON ORINGS

NOTE: SIZED FOR CLEAN WATER, AIR OR OIL. OTHER APPLICATIONS MAY REQUIRE LARGER ACTUATORS. PLEASE CONSULT FACTORY.

UNCONTROLLED DRAWING

THIS PRINT IS THE PROPERTY OF DYNAQUIP CONTROLS AND SHALL NOT BE COPIED, REPRODUCED, LOANED, OR DISPOSED OF DIRECTLY OR INDIRECTLY, NOR USED FOR ANY PURPOSE OTHER THAN THAT FOR WHICH IT IS SPECIFICALLY FURNISHED EXCEPT BY WRITTEN PERMISSION OF DYNAQUIP CONTROLS.

NO. WCEHH SERIES		FILE NO. SUB422	
TITLE BV BRASS - FP - NPT ELECTRIC ACTUATOR FOR USE WITH WATERCOP			
DR	DATE	CH'KD	DATE
MDC	08-01-24	MJP	10-17-18
ENGR	DATE		
MJP	10-17-18		

