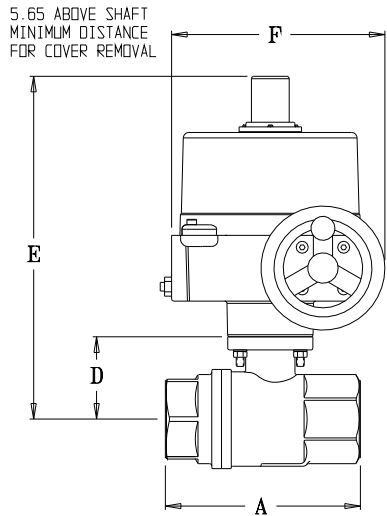


DE SERIES



MA SERIES

MODEL	WCEHH27ATE25	WCEHH27ATE25H	WCEHH28ATE25	WCEHH28ATE25H	WCEHH2AATE07	WCEHH2BATE01
VALVE	1 1/2 NPT	1 1/2 NPT	2 NPT	2 NPT	3 NPT	4 NPT
C _v	143	143	205	205	780	1350
TEMP	-20°/370°F	-20°/370°F	-20°/370°F	-20°/370°F	-20°/370°F	-20°/370°F
CWP	600 PSI	600 PSI	600 PSI	600 PSI	600 PSI	600 PSI
A	4.60	4.60	5.31	5.31	6.89	8.03
B	3.12	3.12	3.77	3.77	5.35	6.53
C	1.57	1.57	1.97	1.97	3.00	3.74
D	2.44	2.44	2.71	2.71	3.85	4.59
E	7.62	7.62	7.89	7.89	11.56	14.63
F	5.66	5.66	5.66	5.66	4.82	7.87
G	4.24	4.24	4.24	4.24	5.10	13.00
H	5.18	5.18	5.18	5.18	7.73	10.04
ACTUATOR	WCDE305	WCDE305H	WCDE305	WCDE305H	WCMA4	WCMA7
CYCLE	6.0 SEC.	6.0 SEC.	6.0 SEC.	6.0 SEC.	20 SEC.	15 SEC.
△	300 PSI	300 PSI	300 PSI	300 PSI	300 PSI	300 PSI
AMBIENT TEMP °F	-4° / 150° F	-4° / 150° F	-4° / 150° F	-4° / 150° F	-4° / 150° F	-4° / 150° F
WT. LBS	8.27	8.27	11.01	11.01	35.29	41.54

VALVE SIZE 1 1/2 IS CERTIFIED TO
NSF/ANSI 372 FOR USE WITH POTABLE WATER

FOR USE WITH POTABLE WATER

VALVE MATERIALS

BODY/END CAP	FORGED BRASS
STEM	NICKEL PLATED BRASS (2" STAINLESS STEEL)
BALL	CHROME PLATED BRASS
SEATS	RTFE
THRUSTWASHER	RTFE
STEM SEAL	VITON O-RINGS

NOTE: SIZED FOR CLEAN WATER, AIR
OR OIL. OTHER APPLICATIONS MAY
REQUIRE LARGER ACTUATORS.
PLEASE CONSULT FACTORY.

UNCONTROLLED
DRAWING

THIS PRINT IS THE PROPERTY
OF DYNAQUIP CONTROLS AND
SHALL NOT BE COPIED,
REPRODUCED, LOANED,
OR DISPOSED OF DIRECTLY
OR INDIRECTLY, NOR USED
FOR ANY PURPOSE OTHER THAN
THAT FOR WHICH IT IS
SPECIFICALLY FURNISHED
EXCEPT BY WRITTEN
PERMISSION OF
DYNAQUIP CONTROLS.

NO. WCEHH SERIES FILE NO. SUB422

TITLE BV BRASS - FP - NPT

ELECTRIC ACTUATOR

FOR USE WITH WATERCOP

DR	DATE	CH'KD	DATE	ENGR	DATE
MDC	08-01-24	MJP	10-17-18	MJP	10-17-18

