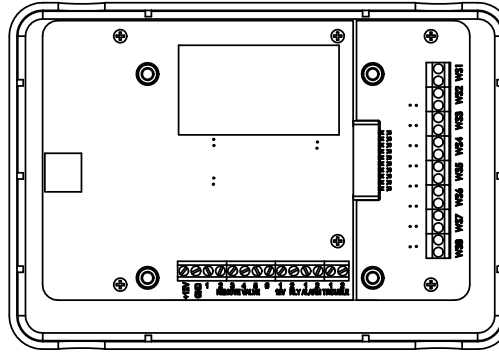
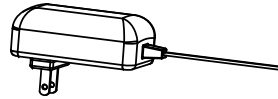
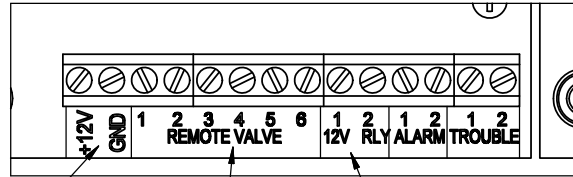


WATERCOP PRO INTEGRATED SYSTEM  
 WIRING DIAGRAM  
 DUAL CONTROL ACTUATORS

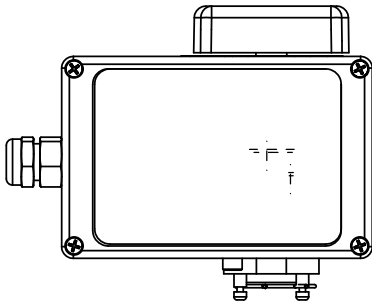
WPC & WPCH



WIRING GUIDE

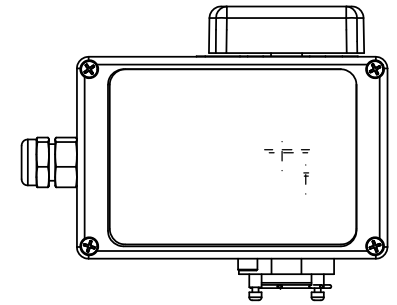


POWER SUPPLY  
 (20' CABLE)  
 NOTE POLARITY  
 STRIPED WIRE IS  
 ATTACHED TO  
 +12V TERMINAL



WPACT12V  
 AVAILABLE WITH  
 25, 50 OR 75' CABLE

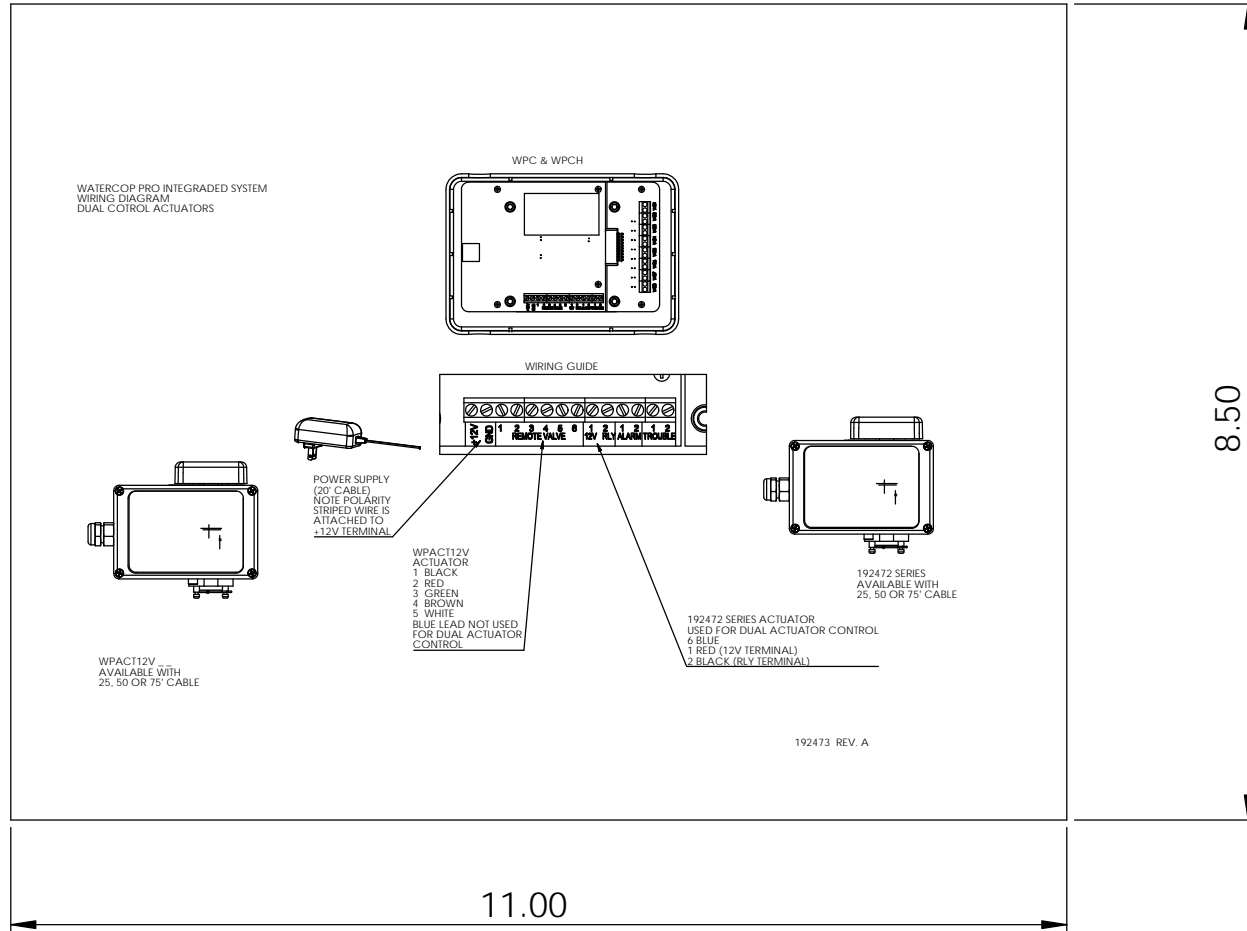
**WPACT12V**  
 ACTUATOR  
 1 BLACK  
 2 RED  
 3 GREEN  
 4 BROWN / YELLOW  
 5 WHITE  
 BLUE LEAD NOT USED  
 FOR DUAL ACTUATOR  
 CONTROL




192472 SERIES  
 AVAILABLE WITH  
 25, 50 OR 75' CABLE

**192472 SERIES ACTUATOR**  
 USED FOR DUAL ACTUATOR CONTROL  
 6 BLUE  
 1 RED (12V TERMINAL)  
 2 BLACK (RLY TERMINAL)

192473



MATERIAL						NO.	192473		FILE NO.	DO NOT SCALE							
WHITE BOND PAPER						TITLE	WIRING DIAGRAM DUAL ACTUATORS										
FINISH						DR	MJP	DATE	10-16-14	CH/KD	MJP	DATE	10-16-14	ENGR	MJP	DATE	10-16-14
BLACK PRINT						LET	ECO	DATE	LET	ECO	DATE						
UNLESS OTHERWISE SPECIFIED: ALL MACHINED SURFACES TO HAVE 125 RMS FINISH BREAK ALL CORNERS .005/.010 X 45° INTERNAL CORNER RADII .010 MAX. R. UNLESS OTHERWISE SPECIFIED ALL DIMENSIONS ARE IN INCHES. TOLERANCES ARE:						A B876 10-24-14					THIS PRINT IS THE PROPERTY OF DYNAQUIP CONTROLS AND SHALL NOT BE COPIED, REPRODUCED, LOANED, OR DISPOSED OF DIRECTLY OR INDIRECTLY, NOR USED FOR ANY PURPOSE OTHER THAN THAT FOR WHICH IT IS SPECIFICALLY FURNISHED EXCEPT BY WRITTEN PERMISSION OF DYNAQUIP CONTROLS.						
ANGLES +/- 2 DEG. FRACTIONS +/- .015																	
X +/- .100 .XX +/- .015 .XXX +/- .005																	