

CEDIA  
BEST NEW  
PRODUCT  
WINNER

ESX  
INNOVATION  
AWARDS  
WINNER

2020 CE PRO  
BRAND LEADERS

2020 CE PRO  
BULLET BRAND

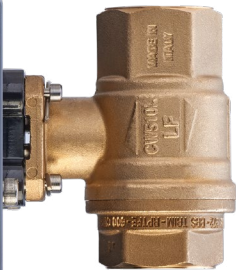
CEPro  
Brand Leader  
Water Leak Detection  
2021

# Leak Detection & Automatic Water Shut-Off

## WaterCop® Classic is the perfect solution for single family or vacation homes.

A robust, industrial grade automated valve and a network of wireless leak sensors will protect your property. WaterCop® works 24/7/365 monitoring your location for plumbing leaks. When a leak is detected, the WaterCop® system quickly closes the main supply valve. WaterCop® Classic can trigger additional devices such as lights, buzzers, auto dialers, or security/automation systems to further alert and notify property owners and managers that the WaterCop® system has been activated.

**WaterCop® Valve** may be controlled independently by pressing the open/close soft touch buttons on front of valve actuator.



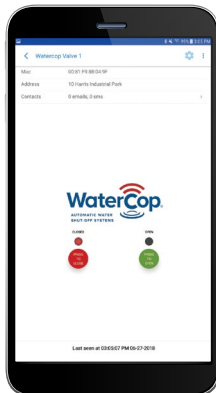
**Valve** remains closed until it is manually reset.

**Integrates with third party devices** that can notify owners and managers that WaterCop has been activated.



**Wireless sensors** constantly monitor areas for plumbing leaks.

Receive mobile alerts and control your WaterCop system using the **WaterCop app** on a phone or tablet.



**Range Enhancing Repeater** increases the effective range of wireless flood sensors by retransmitting the wireless signal from all sensors to the WaterCop Control Panel.



The proven leader in household leak protection: **WaterCop®** is there when you're not.

# Simple to install and use, WaterCop® Classic provides a thorough level of leak protection.

## Shut-Off Valve

- NSF/ANSI 372\* approved lead-free brass, full flow, 600 psi rated industrial valve
- Sizes ½" – 1¼" standard (1½" to 4" large valve integration available)
- Onboard open/close buttons and indicator lights on valve controller
- Integrated power supply with 20' cord for installation flexibility
- Low voltage I/O port with modular jack allows optional wired low voltage security/automation using common CAT5 cabling
- User-adjustable digital encoding allows multiple nearby systems to operate independently
- Supports unlimited number of wireless sensors
- Available with 1 or 2 hardwired sensors

## Wireless Sensors

- Monitor for leaks
- Available in single or dual leak probe configurations
- Audible beep tone for “low battery” and “alarm” conditions
- Requires 2 AA batteries or optional AC adaptor to operate
- 10' sensor cord with corrosion resistant gold-plated water sensing probes

## Range Enhancing Repeater

- Enhances transmission range of outlying wireless sensors
- Plugs into any standard 110 VAC wall outlet
- May be used in series

## Wired Water Control Wall Switch

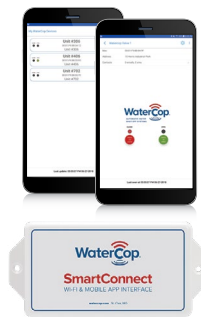
- Easy and immediate control of the main water line
- Operate water valve open or closed at the touch of a button

\* Lead Free NSF/ANSI 372 refers to the wetted surface of pipe, fitting and fixtures in potable water systems that have a weighted average lead content ≤ 0.25%. Source: California Health & Safety Code (116875); Vermont Act 193.

## SmartConnect

Receive mobile alerts and control your WaterCop system using the WaterCop app on a phone or tablet. SmartConnect is compatible with Classic, Pro and LeakStop+ systems.

- 24/7 remote mobile control and access to your WaterCop system
- WiFi compatible
- Mobile alerts about power outages



## Ordering Information

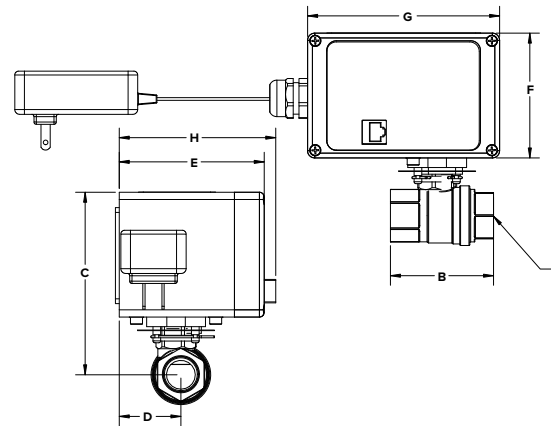
**Step One:** Select appropriate shut-off valve by size

| SIZE (FNPT) | PART NO. (LEAD FREE NSF/ANSI 372) |
|-------------|-----------------------------------|
| ½"          | WCVLF ½                           |
| ¾"          | WCVLF ¾                           |
| 1"          | WCVLF 1                           |
| 1¼"         | WCVLF 1¼                          |

**Step Two:** Add WCDACT WaterCop actuator

**Step Three:** Add WaterCop accessories

| ITEM   | DESCRIPTION                               |
|--------|---|
| WCDFS1 | SINGLE PROBE WIRELESS LEAK SENSOR         |
| WCDFS2 | DUAL PROBE WIRELESS LEAK SENSOR           |
| WCDR   | RANGE ENHANCING REPEATER                  |
| WPA    | LEAK SENSOR AC POWER SUPPLY               |
| RS100  | WIRED WATER CONTROL WALL SWITCH           |
| CBL50  | VALVE/SWITCH INTERCONNECT CABLE (50 FT.)  |
| CBL100 | VALVE/SWITCH INTERCONNECT CABLE (100 FT.) |
| WCSCLV | SMARTCONNECT WIFI MOBILE APP INTERFACE    |



| MODEL   | VALVE SIZE | A         | B    | C    | D   | E    | F    | G   | H    | FLOW GPM |
|---------|------------|-----------|------|------|-----|------|------|-----|------|----------|
| WCDACT  | –          | –         | –    | –    | .74 | 3.78 | 4.10 | 5.0 | 4.05 | –        |
| WCD ½"  | ½"         | ½-14 NPT  | 2.60 | 4.78 | .74 | 3.78 | 4.10 | 5.0 | 4.05 | 19       |
| WCD ¾"  | ¾"         | ¾-14 NPT  | 2.90 | 5.02 | .74 | 3.78 | 4.10 | 5.0 | 4.05 | 34       |
| WCD 1"  | 1"         | 1-½ NPT   | 3.56 | 5.19 | .74 | 3.78 | 4.10 | 5.0 | 4.05 | 52       |
| WCD 1¼" | 1¼"        | 1¼-1½ NPT | 3.66 | 5.18 | .74 | 3.78 | 4.10 | 5.0 | 4.05 | 77       |

To order or for additional information, visit

or call 800-545-3636.