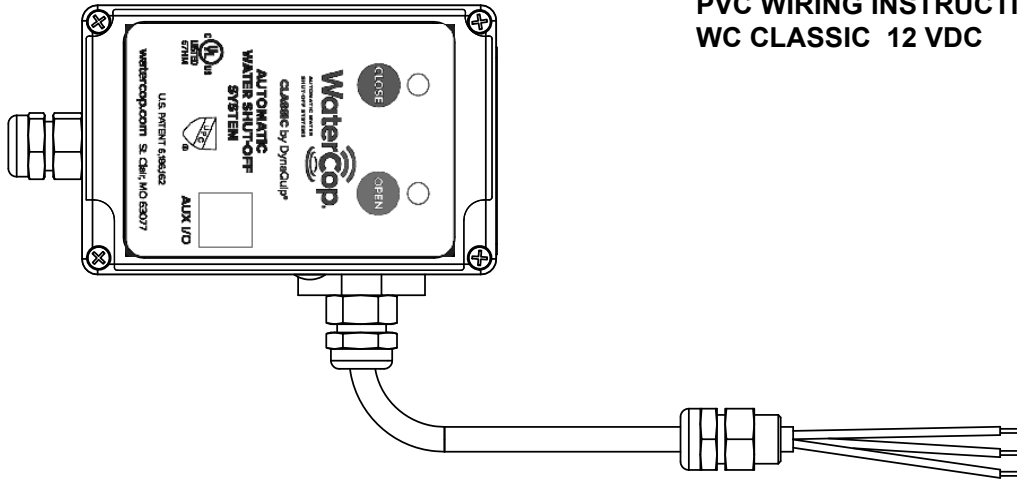


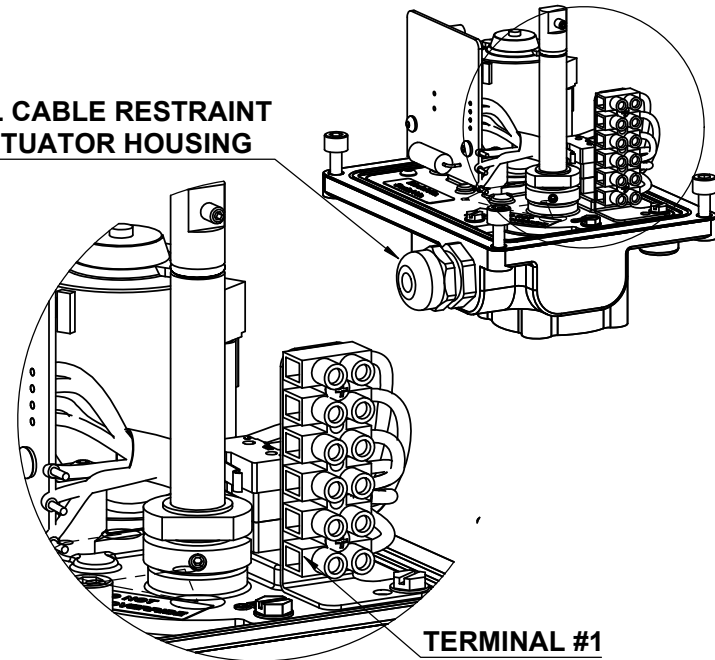
WATERCOP CLASSIC PVC WIRING GUIDE

PVC WIRING INSTRUCTIONS WC CLASSIC 12 VDC



CAUTION: DO NOT POWER THE CONTROL UNIT UNTIL ALL WIRING CONNECTIONS ARE MADE AND INSTALLATION IS COMPLETE.

INSTALL CABLE RESTRAINT INTO ACTUATOR HOUSING



FEED CABLE THROUGH CABLE RESTRAINT AND ATTACH LEADS TO TERMINAL BLOCK AS FOLLOWS: NOTE THE LOWEST TERMINAL IS NO. 1

- 1 - BLACK
- 2 - RED
- 3 - WHITE

NOTE: ROUTE WIRES AWAY FROM CAMS AND TIGHTEN CABLE RESTRAINT