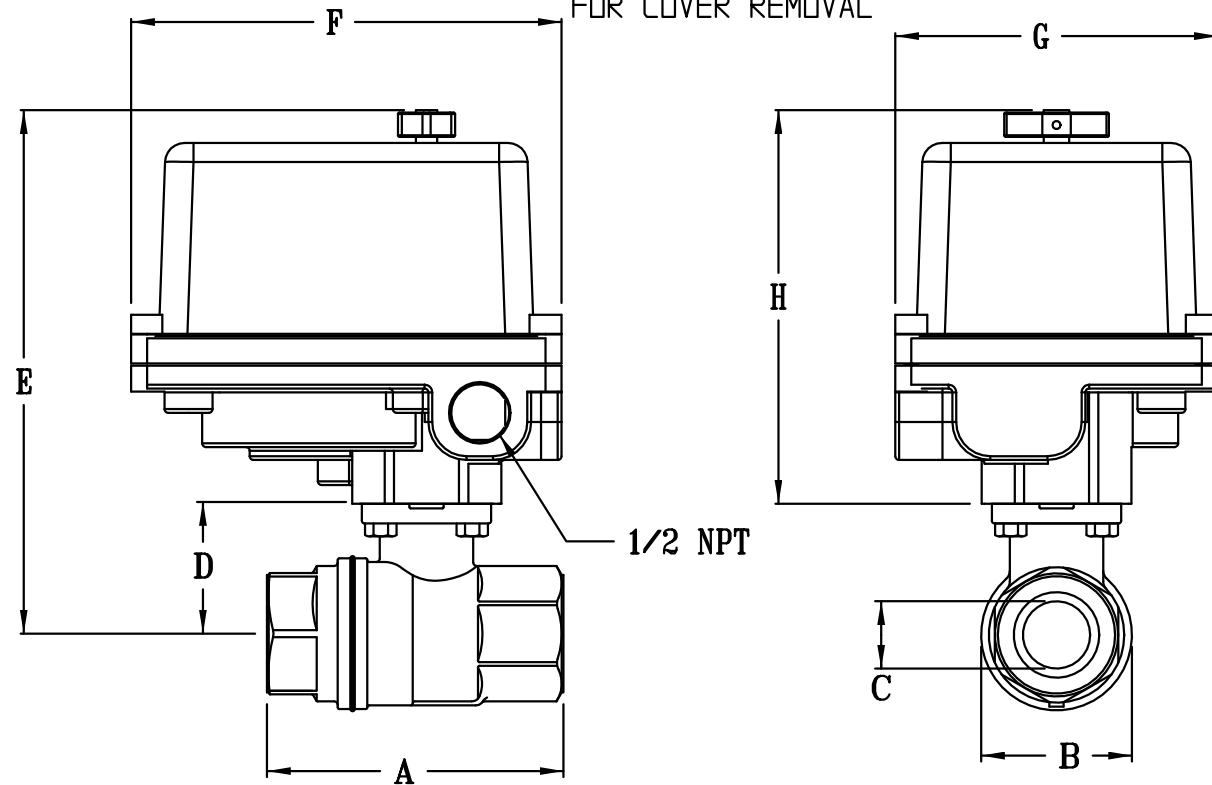


3.00 ABOVE SHAFT
MINIMUM DISTANCE
FOR COVER REMOVAL

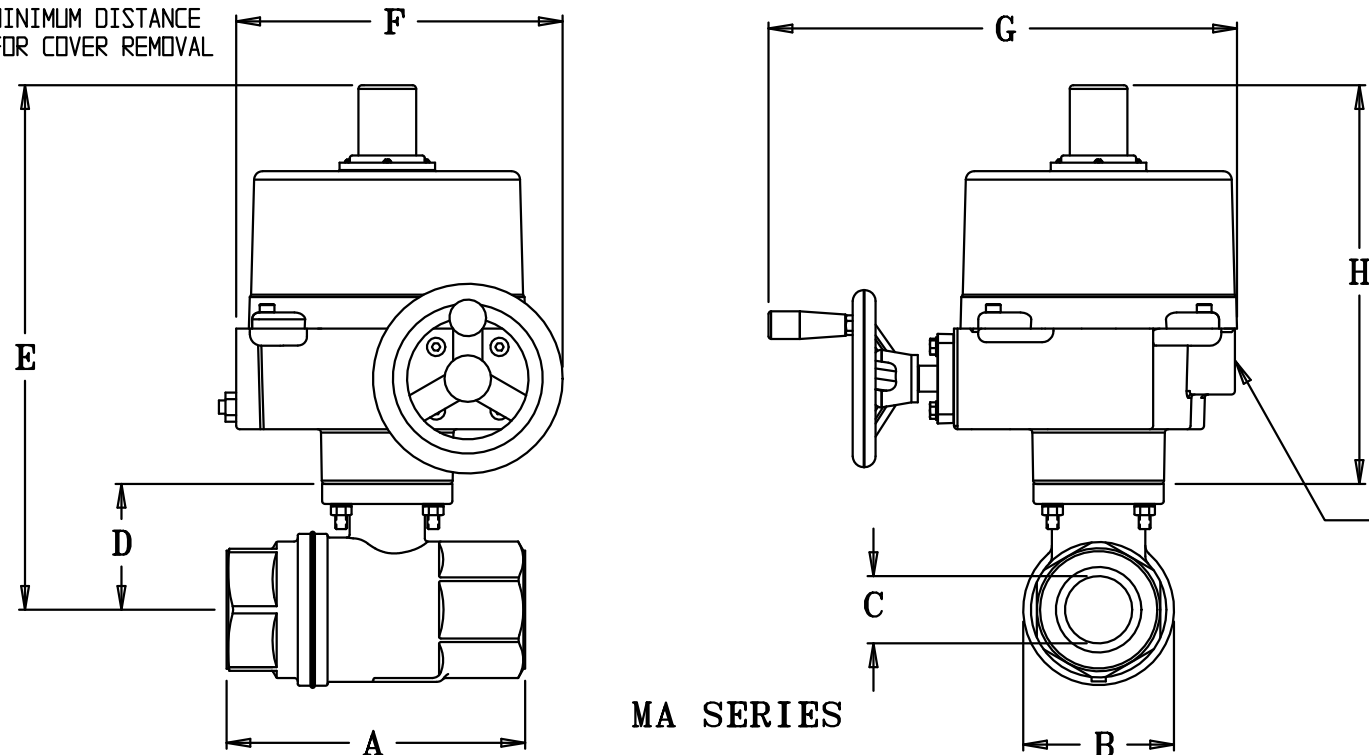


DE SERIES

MODEL	WCEHH27ATE25	WCEHH27ATE25H	WCEHH28ATE25	WCEHH28ATE25H	WCEHH2AATE01	WCEHH2BATE01
VALVE	1 1/2 NPT	1 1/2 NPT	2 NPT	2 NPT	3 NPT	4 NPT
C _v	143	143	205	205	780	1350
TEMP	-20°/370°F	-20°/370°F	-20°/370°F	-20°/370°F	-20°/370°F	-20°/370°F
CWP	600 PSI	600 PSI	600 PSI	600 PSI	600 PSI	600 PSI
A	4.60	4.60	5.31	5.31	6.89	8.03
B	3.12	3.12	3.77	3.77	5.35	6.53
C	1.57	1.57	1.97	1.97	3.00	3.74
D	2.44	2.44	2.71	2.71	3.85	4.59
E	7.62	7.62	7.89	7.89	13.89	14.63
F	5.66	5.66	5.66	5.66	7.87	7.87
G	4.24	4.24	4.24	4.24	13.00	13.00
H	5.18	5.18	5.18	5.18	10.04	10.04
ACTUATOR	DE305	DE305H	DE305	DE305H	MA7	MA7
CYCLE	6.0 SEC.	6.0 SEC.	6.0 SEC.	6.0 SEC.	15 SEC.	15 SEC.
MAX ΔP	300 PSI	300 PSI	300 PSI	300 PSI	300 PSI	300 PSI
AMBIENT TEMP °F	-40° 150°F	-40° 150°F	-40° 150°F	-40° 150°F	10° 140° F	10° 140° F
WT. LBS	8.27	8.27	11.01	11.01	35.29	41.54

FOR USE WITH POTABLE WATER

5.65 ABOVE SHAFT
MINIMUM DISTANCE
FOR COVER REMOVAL



MA SERIES

VALVE SIZE 1 1/2 IS CERTIFIED TO
NSF/ANSI 372 FOR USE WITH POTABLE WATER

VALVE MATERIALS

BODY/END CAP	FORGED BRASS
STEM	NICKEL PLATED BRASS (2" STAINLESS STEEL)
BALL	CHROME PLATED BRASS
SEATS	RTFE
THRUSTWASHER	RTFE
STEM SEAL	VITON ORINGS

NOTE: SIZED FOR CLEAN WATER, AIR
OR OIL. OTHER APPLICATIONS MAY
REQUIRE LARGER ACTUATORS.
PLEASE CONSULT FACTORY.

UNCONTROLLED
DRAWING

THIS PRINT IS THE PROPERTY
OF DYNAQUIP CONTROLS AND
SHALL NOT BE COPIED,
REPRODUCED, LOANED,
OR DISPOSED OF DIRECTLY
OR INDIRECTLY, NOR USED
FOR ANY PURPOSE OTHER THAN
THAT FOR WHICH IT IS
SPECIFICALLY FURNISHED
EXCEPT BY WRITTEN
PERMISSION OF
DYNAQUIP CONTROLS.

NO. WCEHH SERIES

FILE NO.
SUB422

TITLE
BV BRASS - FP - NPT
ELECTRIC ACTUATOR
FOR USE WITH WATERCOP

DR	DATE	CH'KD	DATE	ENGR	DATE
MJP	06-12-19	MJP	10-17-18	MJP	10-17-18

