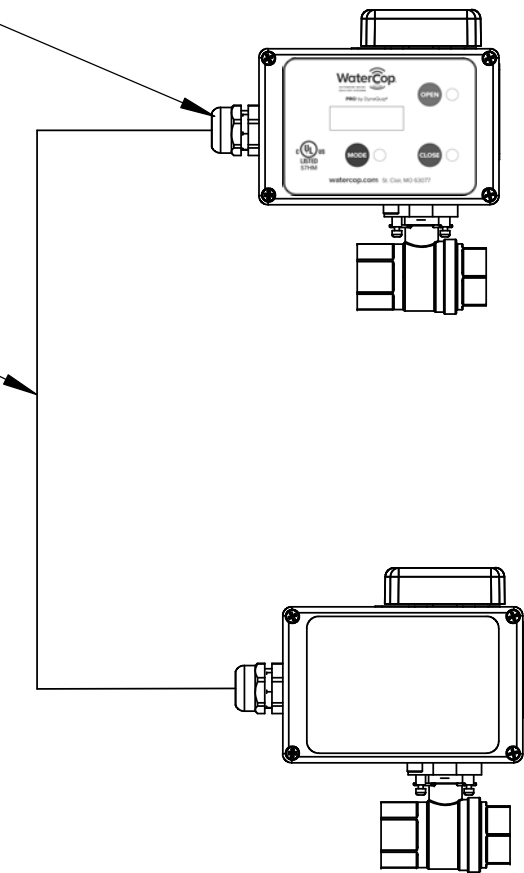


POWER SUPPLY WITH
20' CORD ATTACHED
THIS LOCATION

JUMPER CABLE
3 FT.



ENCLOSURE: POLYCARBONATE
POWER: POWER CONVERTOR WITH 20' CORD
DISPLAY: BACK LIGHTED LCD
CONTROLS: LOCAL CONTROLS WITH MANUAL OVERRIDE
VALVE: FULL PORT BRASS BALL VALVE

MODEL	VALVE SIZE	A	B	C	D	E	F	G	FLOW GPM
WPACT	1/2	1/2 - 14 NPT	2.60	4.78	.74	3.78	4.10	5.00	19
WPACT	3/4	3/4 - 14 NPT	2.90	5.02	.74	3.78	4.10	5.00	34
WPACT	1	1 - 11-1/2	3.56	5.19	.74	3.78	4.10	5.00	52
WPACT	1-1/4	1-1/4 - 11-1/2 NPT	3.66	5.18	.74	3.78	4.10	5.00	77

**UNCONTROLLED
DRAWING**

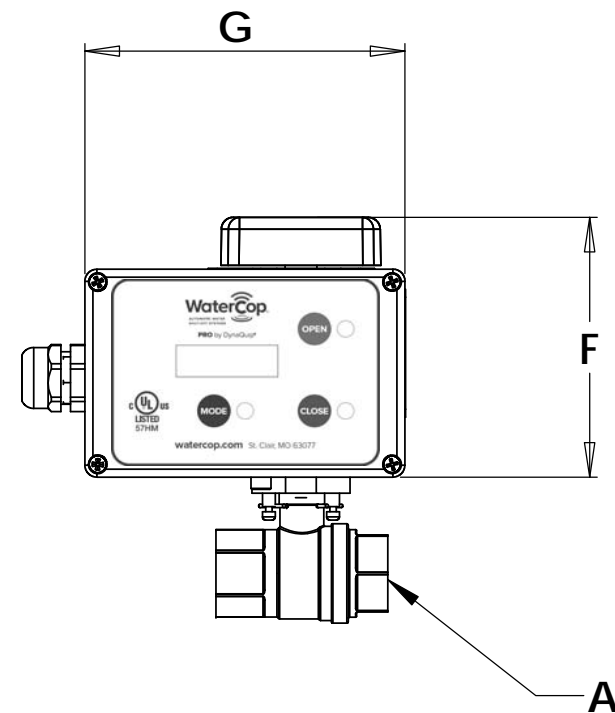
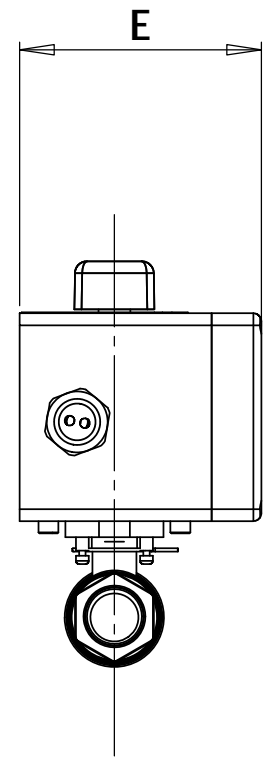
THIS PRINT IS THE PROPERTY OF DYNAQUIP CONTROLS AND SHALL NOT BE COPIED, REPRODUCED, LOANED, OR DISPOSED OF DIRECTLY OR INDIRECTLY, NOR USED FOR ANY PURPOSE OTHER THAN THAT FOR WHICH IT IS SPECIFICALLY FURNISHED EXCEPT BY WRITTEN PERMISSION OF DYNAQUIP CONTROLS.

NO. **WATERCOP PRO** FILE NO. **SUB226**

TITLE **DUAL VALVE ACTUATORS**

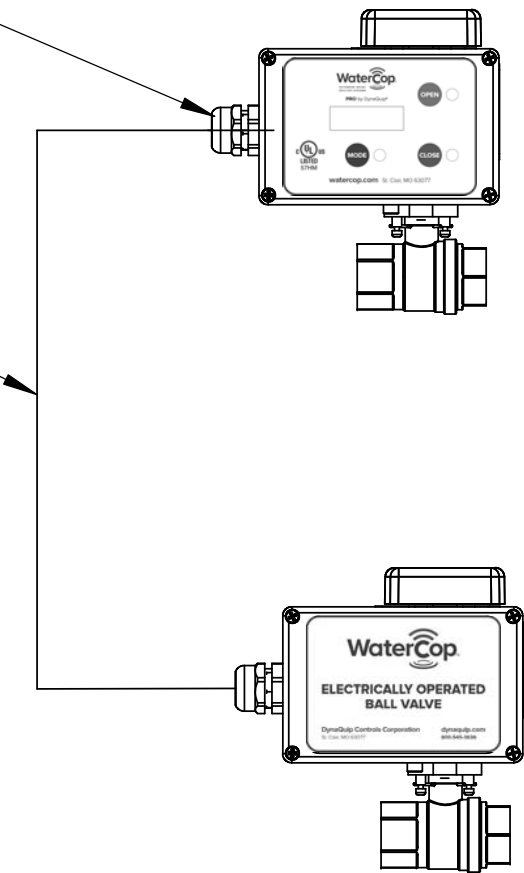
DR MJP DATE 04-27-18 CH'KD MJP DATE 07-25-11 ENGR MJP DATE 07-25-11





POWER SUPPLY WITH
20' CORD ATTACHED
THIS LOCATION

JUMPER CABLE
3 FT.



ENCLOSURE: POLYCARBONATE
POWER: POWER CONVERTOR WITH 20' CORD
DISPLAY: BACK LIGHTED LCD
CONTROLS: LOCAL CONTROLS WITH MANUAL OVERRIDE
VALVE: FULL PORT BRASS BALL VALVE

**ALL VALVES ARE CERTIFIED TO
NSF/ANSI 372 FOR USE WITH POTABLE WATER**

MODEL	VALVE SIZE	A	B	C	D	E	F	G	FLOW GPM
WPACT	1/2	1/2 - 14 NPT	2.60	4.78	.74	3.78	4.10	5.00	19
WPACT	3/4	3/4 - 14 NPT	2.90	5.02	.74	3.78	4.10	5.00	34
WPACT	1	1 - 11-1/2	3.56	5.19	.74	3.78	4.10	5.00	52
WPACT	1-1/4	1-1/4 - 11-1/2 NPT	3.66	5.18	.74	3.78	4.10	5.00	77

**UNCONTROLLED
DRAWING**

THIS PRINT IS THE PROPERTY OF DYNAQUIP CONTROLS AND SHALL NOT BE COPIED, REPRODUCED, LOANED, OR DISPOSED OF DIRECTLY OR INDIRECTLY, NOR USED FOR ANY PURPOSE OTHER THAN THAT FOR WHICH IT IS SPECIFICALLY FURNISHED EXCEPT BY WRITTEN PERMISSION OF DYNAQUIP CONTROLS.

NO.		WATERCOP PRO				FILE NO.	SUB226
TITLE							
DUAL VALVE ACTUATORS							
DR	DATE	CH'KD	DATE	ENGR	DATE		
MJP	07-25-18	MJP	07-25-11	MJP	07-25-11		
