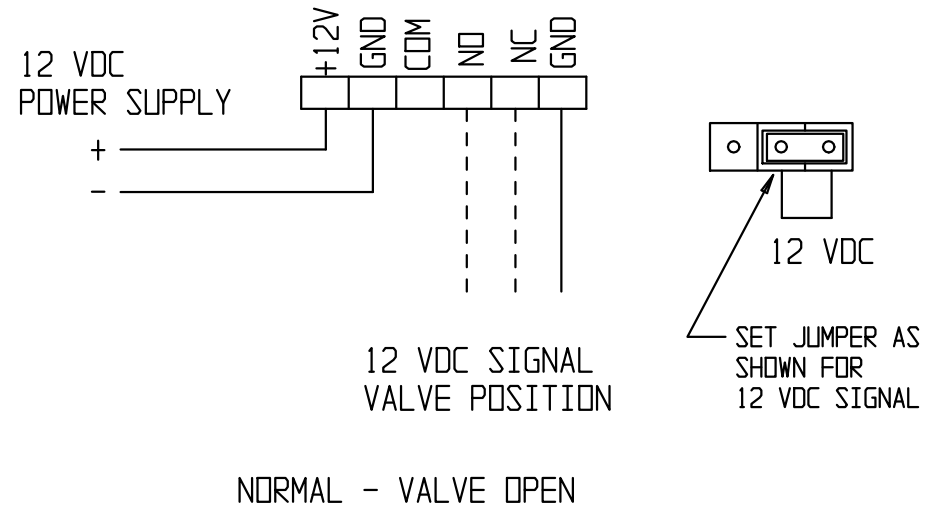
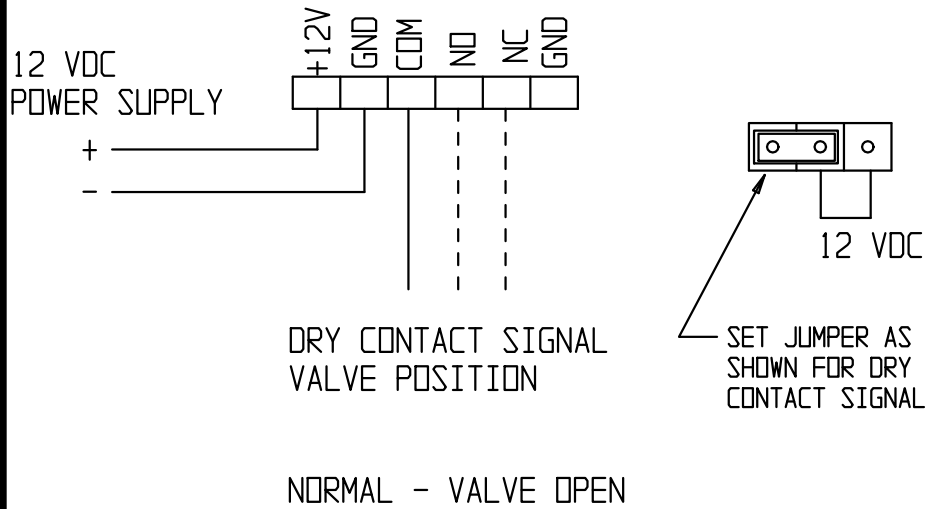


WPD.004



THE TERMINAL STRIP AND JUMPER ARE LOCATED ON THE CONTROL BOARD INSIDE THE FRONT COVER OF THE WATERCOP PRO ACTUATOR. THESE CONTACTS INDICATE VALVE POSITION ONLY.

MATERIAL						NO. WPD.004	FILE NO.		DO NOT SCALE												
						TITLE															
FINISH						WC PRO ACTUATOR INTERFACE															
						DR MJP	DATE 02-15-12	CH' KD	DATE	ENGR DATE											
UNLESS OTHERWISE SPECIFIED: ALL MACHINED SURFACES TO HAVE 125 RMS FINISH BREAK ALL CORNERS .005/.010 X 45° INTERNAL CORNER RADII .010 MAX. R.						<table border="1"> <thead> <tr> <th>LET</th> <th>ECO</th> <th>DATE</th> <th>LET</th> <th>ECO</th> <th>DATE</th> </tr> </thead> <tbody> <tr> <td> </td> <td> </td> <td> </td> <td> </td> <td> </td> <td> </td> </tr> </tbody> </table>				LET	ECO	DATE	LET	ECO	DATE						
LET	ECO	DATE	LET	ECO	DATE																
UNLESS OTHERWISE SPECIFIED ALL DIMENSIONS ARE IN INCHES. TOLERANCES ARE: .X +/- .100 ANGLES +/- 2 DEG. .XX +/- .015 FRACTIONS +/- .015 .XXX +/- .005						THIS PRINT IS THE PROPERTY OF DYNAQUIP CONTROLS AND SHALL NOT BE COPIED, REPRODUCED, LOANED, OR DISPOSED OF DIRECTLY OR INDIRECTLY, NOR USED FOR ANY PURPOSE OTHER THAN THAT FOR WHICH IT IS SPECIFICALLY FURNISHED EXCEPT BY WRITTEN PERMISSION OF DYNAQUIP CONTROLS.															
						