

Leak Detection & Automatic Water Shut-Off

WaterCop® Classic is the perfect solution for single family or vacation homes.

A robust, industrial grade automated valve and a network of wireless leak sensors will protect your property. WaterCop® works 24/7/365 monitoring your location for plumbing leaks. When a leak is detected, the WaterCop® system quickly closes the main supply valve. WaterCop® Classic can trigger additional devices such as lights, buzzers, auto dialers, or security/automation systems to further alert and notify property owners and managers that the WaterCop® system has been activated.

Valve remains closed until it is manually reset.

Integrates with third party devices that can notify owners and managers that WaterCop® has been activated.

Wireless Sensors constantly monitor areas for plumbing leaks.



WaterCop® Valve may be controlled independently by pressing the open/close soft touch buttons on front of valve actuator.

Simple to install and use, WaterCop® Classic provides a thorough level of leak protection.

Shut-Off Valve

- NSF/ANSI 372* approved lead-free brass, full flow, 600 psi rated industrial valve
- Sizes ½" – 1¼" standard (1½" to 4" large valve integration available)
- Onboard open/close buttons and indicator lights on valve controller
- Integrated power supply with 20' cord for installation flexibility
- Low voltage I/O port with modular jack allows optional wired low voltage security/automation using common CAT5 cabling
- User-adjustable digital encoding allows multiple nearby systems to operate independently
- Supports unlimited number of wireless sensors
- Available with 1 or 2 hardwired sensors

Wireless Sensors

- Monitor for leaks or low temperatures
- Available in single or dual leak probe configurations
- Audible beep tone for "low battery" and "alarm" conditions
- Requires 2 AA batteries or optional AC adaptor to operate
- 10' sensor cord with corrosion resistant gold-plated water sensing probes

Range Enhancing Repeater

- Enhances transmission range of outlying wireless sensors
- Plugs into any standard 110 VAC wall outlet
- May be used in series

Wired Water Control Wall Switch

- Easy and immediate control of the main water line
- Operate water valve open or closed at the touch of a button

* Lead Free NSF/ANSI 372 refers to the wetted surface of pipe, fitting and fixtures in potable water systems that have a weighted average lead content ≤ 0.25%. Source: California Health & Safety Code (116875); Vermont Act 193.

Ordering Information

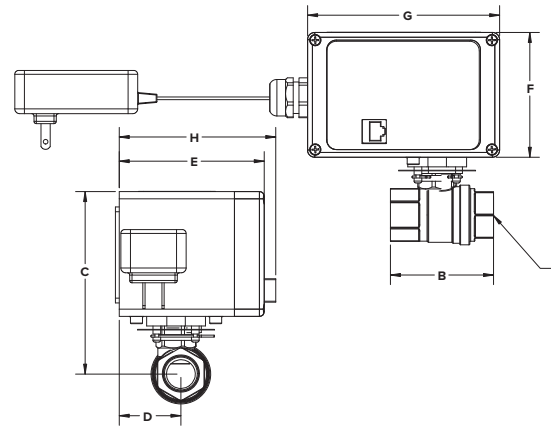
Step One: Select appropriate shut-off valve by size

SIZE (FNPT)	PART NO. (LEAD FREE NSF/ANSI 372)
½"	WCVLF ½
¾"	WCVLF ¾
1"	WCVLF 1
1¼"	WCVLF 1¼

Step Two: Add WCDACT WaterCop actuator

Step Three: Add WaterCop accessories

ITEM	DESCRIPTION
WCDFS1	SINGLE PROBE WIRELESS LEAK SENSOR
WCDFS2	DUAL PROBE WIRELESS LEAK SENSOR
WCDFST	LOW TEMPERATURE WIRELESS SENSOR
WCDR	RANGE ENHANCING REPEATER
WPA	SENSOR AC POWER SUPPLY (LEAK & TEMPERATURE SENSORS)
RS100	WIRED WATER CONTROL WALL SWITCH
CBL50	VALVE/SWITCH INTERCONNECT CABLE (50 FT.)
CBL100	VALVE/SWITCH INTERCONNECT CABLE (100 FT.)



MODEL	VALVE SIZE	A	B	C	D	E	F	G	H	FLOW GPM
WCDACT	-	-	-	-	.74	3.78	4.10	5.0	4.05	-
WCD ½	½	½-14 NPT	2.60	4.78	.74	3.78	4.10	5.0	4.05	19
WCD ¾	¾	¾-14 NPT	2.90	5.02	.74	3.78	4.10	5.0	4.05	34
WCD 1	1	1-½ NPT	3.56	5.19	.74	3.78	4.10	5.0	4.05	52
WCD 1¼	1¼	1¼-½ NPT	3.66	5.18	.74	3.78	4.10	5.0	4.05	77



To order or for additional information, visit watercop.com or call 800-545-3636.