

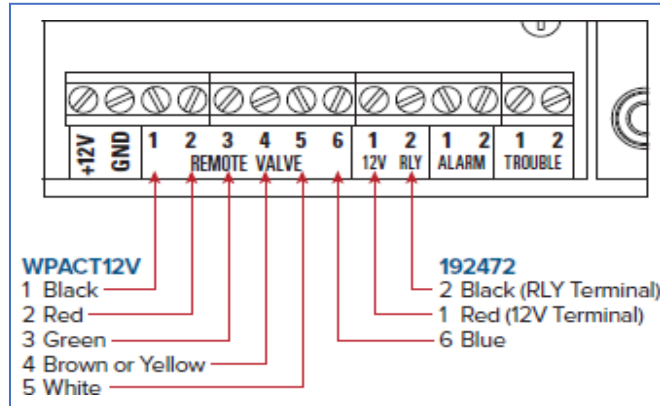
WaterCop Pro Dual Configurations

1) Standard WaterCop Pro Dual Actuator Kit for 25', 50' or 75' applications

* Both actuators wire directly into Control Panel next to each other

NO hard-wired sensor capability: Order (1) WPK25D, WPK50D or WPK75D

WITH hard wired sensor capability: Order (1) WPKH25D, WPKH50D or WPKH75D



2) WaterCop Pro Dual Actuator applications over 75'

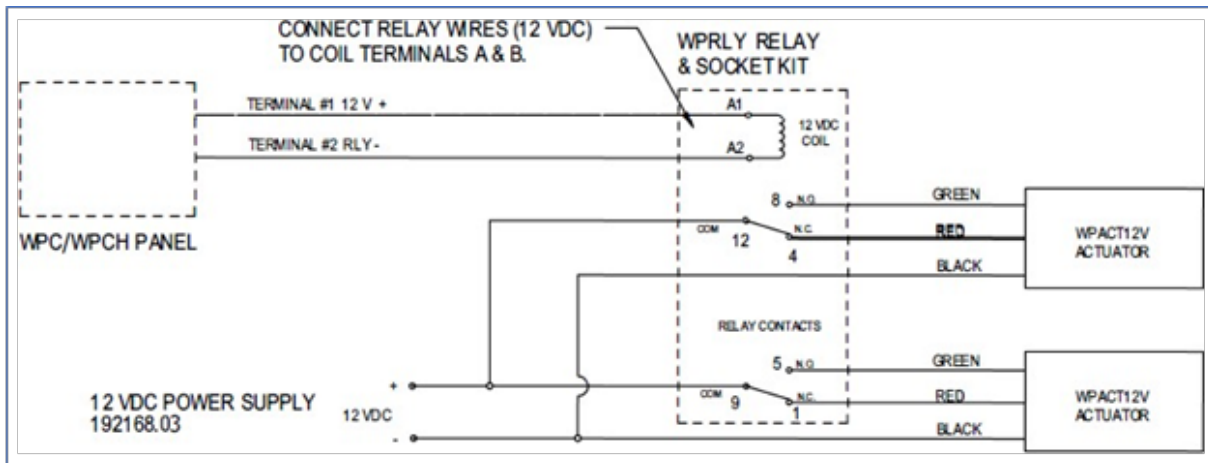
* Both actuators wire into the WPRLY, jumpers remain installed

No hard-wired sensor capability:

Order (1) WPC & (1) WPRLY & (1) 192168.03 & (2) WPACT12V OR (2) WPACT12V50 OR (2) WPACT12V75

WITH hard-wired sensor capability:

Order (1) WPCH & (1) WPRLY & (1) 192168.03 & (2) WPACT12V OR (2) WPACT12V50 OR (2) WPACT12V75

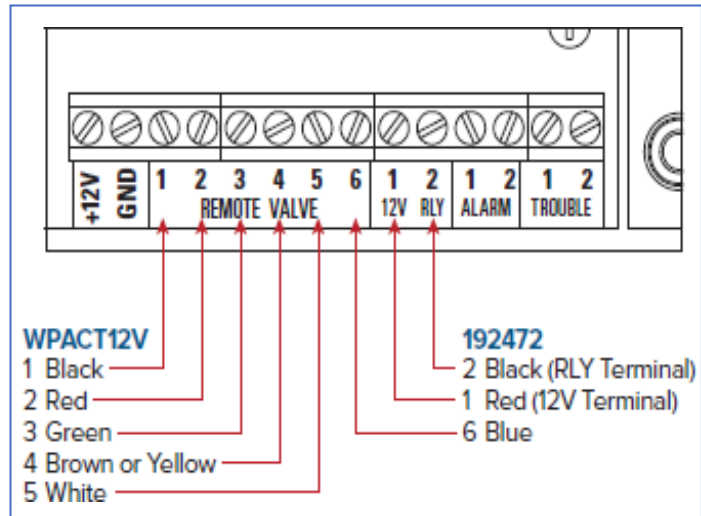


WaterCop Pro Dual Configurations

3) Add 2nd Actuator within 25', 50' or 75' to Pro Panel AFTER Single Kit is Purchased

* Wires directly into Control Panel next to the first actuator

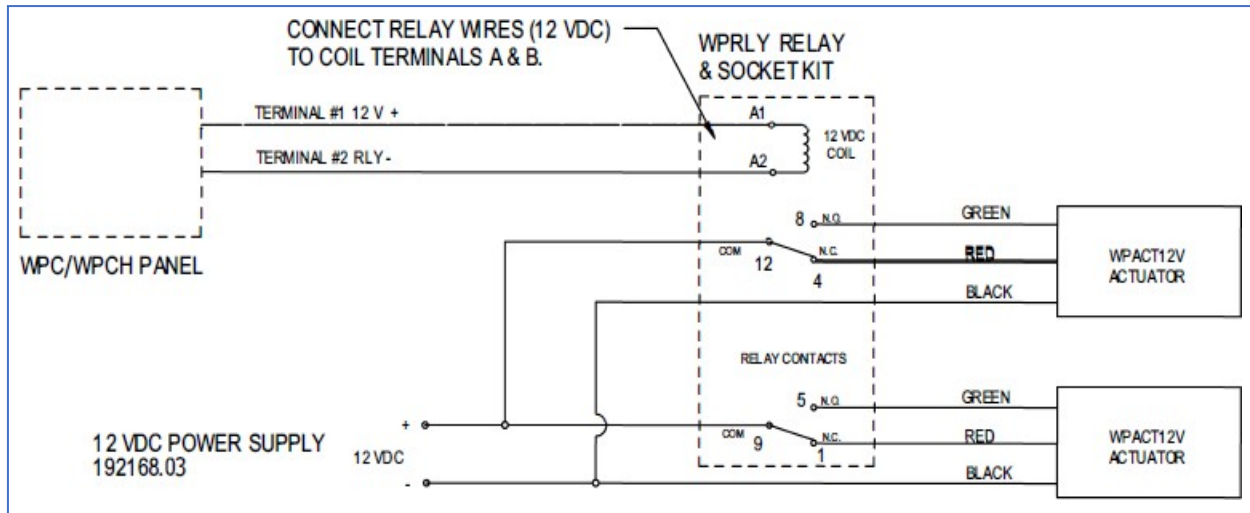
Order (1) 192472.025 **OR** 192472.050 **OR** 192472.075



4) Add 2nd Actuator within 75' to Pro Panel AFTER Single Kit is Purchased

* Wires into the WPRLY, jumpers remain installed, see Supplemental Wiring

Order (1) WPRLY & (1) 192168.03 *if not in place & (1) WPACT12V **OR** WPACT12V50 **OR** WPACT12V75



The proven leader in household leak protection: Visit watercop.com or call 800-545-3636.